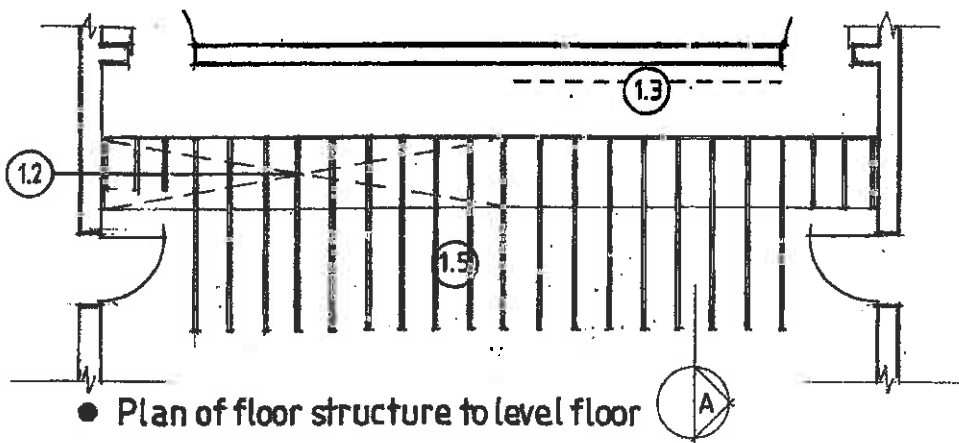
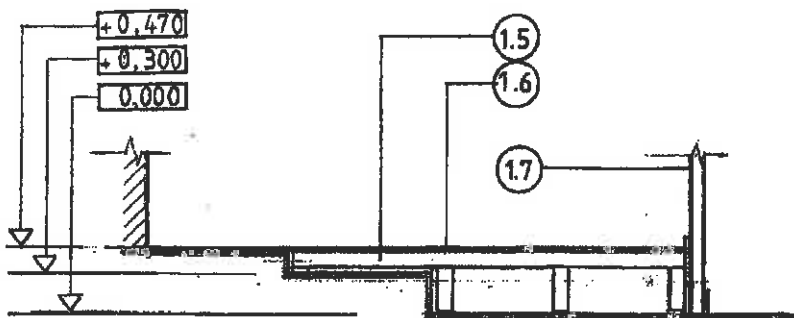


● Plan of new offices in existing chamber



● Plan of floor structure to level floor



● Section A - A

● Alterations to Ex-council Chamber to form 2 New Offices

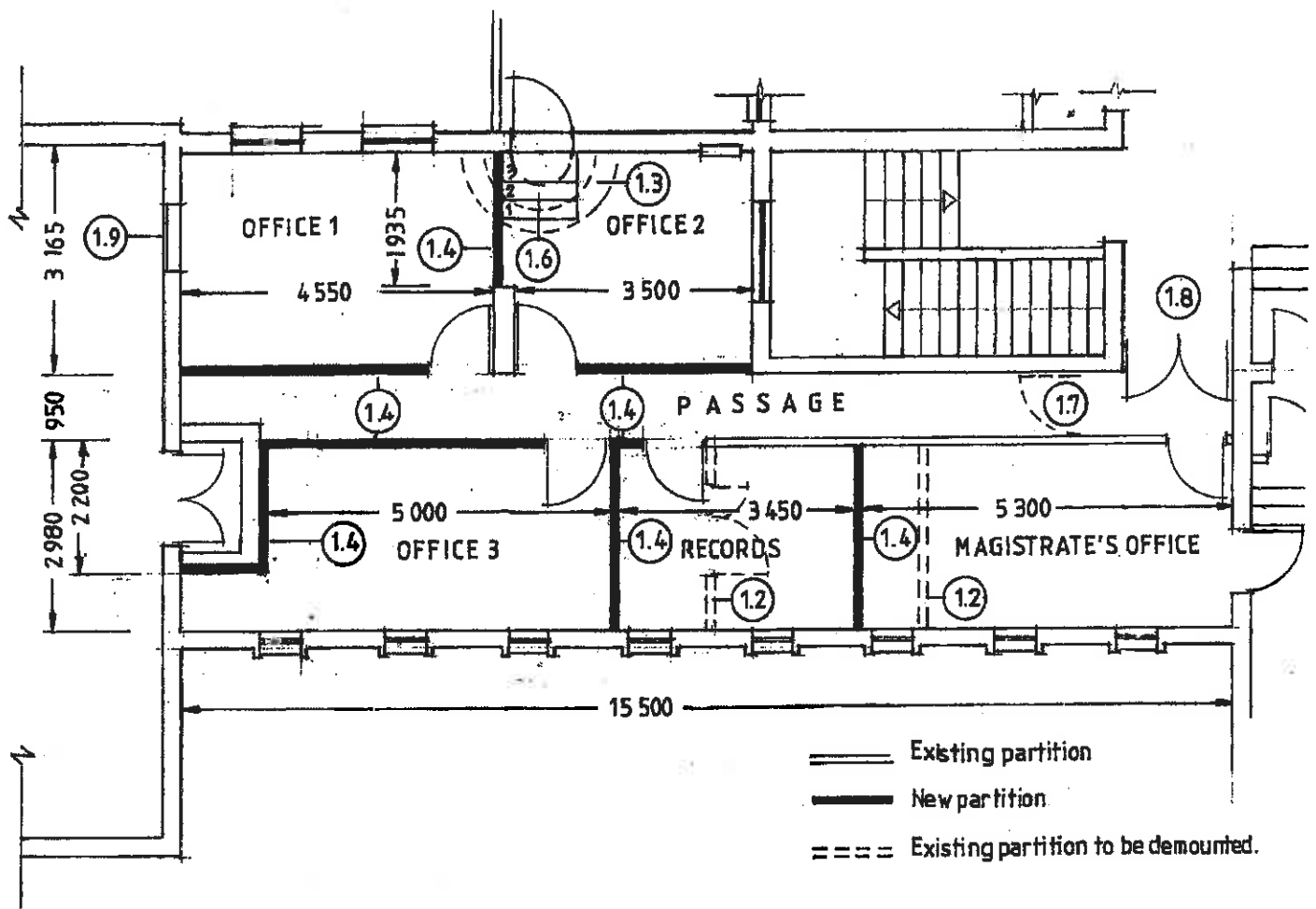
● SCALE 1:100



JAAP VAN LILLE
ARGITEK ARCHITECT

Albertstr 53 Albert St GEORGE 6529
☎ 044 874 1521 ☎ 2338 GEORGE 6530
☎ 086 270 5123 ☎ 082 801 4749
e-pos / e-mail: lville@telkomsa.net

Projekttitel: Project title:	Skaal: Scale:	Datum: Date:	Geteken: Drawn:	Tek. nr: Dwg. no.
New Municipal Court at the George Civic Centre: Additions & Alterations		Jan. 2016		1501- 101



● Alterations to Existing Offices Adjacent to Council Chamber

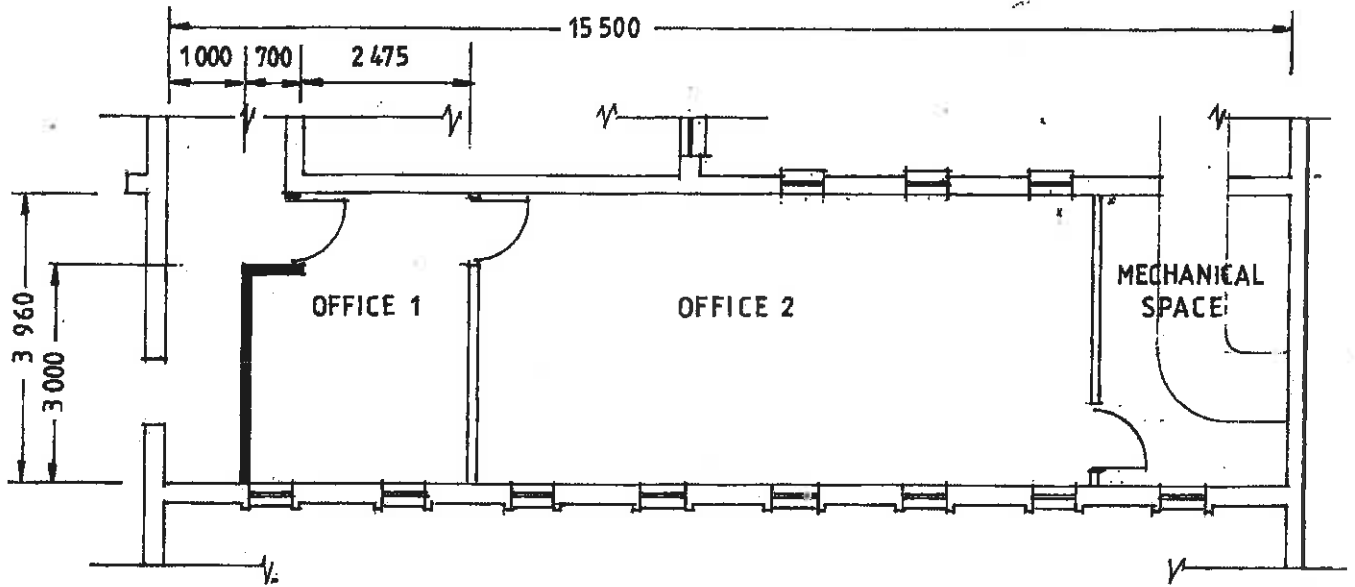
● SCALE 1:100



JAAP VAN LILLE
ARGITEK ARCHITECT

Albertstr 53 Albert St GEORGE 6529
☎ 044 874 1521-53 2338 GEORGE 6530
☎ 086 270 5123 ☎ 082 801 4749
e-pos / e-mail: jvillie@telkomsa.net

Projektitel: Project title:	Skaal: Scale:	Datum: Date:	Geteken: Drawn:	Tek. nr. Dwg. no.
New Municipal Court at the George Civic Centre: Additions & Alterations		Jan. 2016	jvillie	1501- 102



- Alterations to Ex-mayor's Office Adjacent to Council Chamber

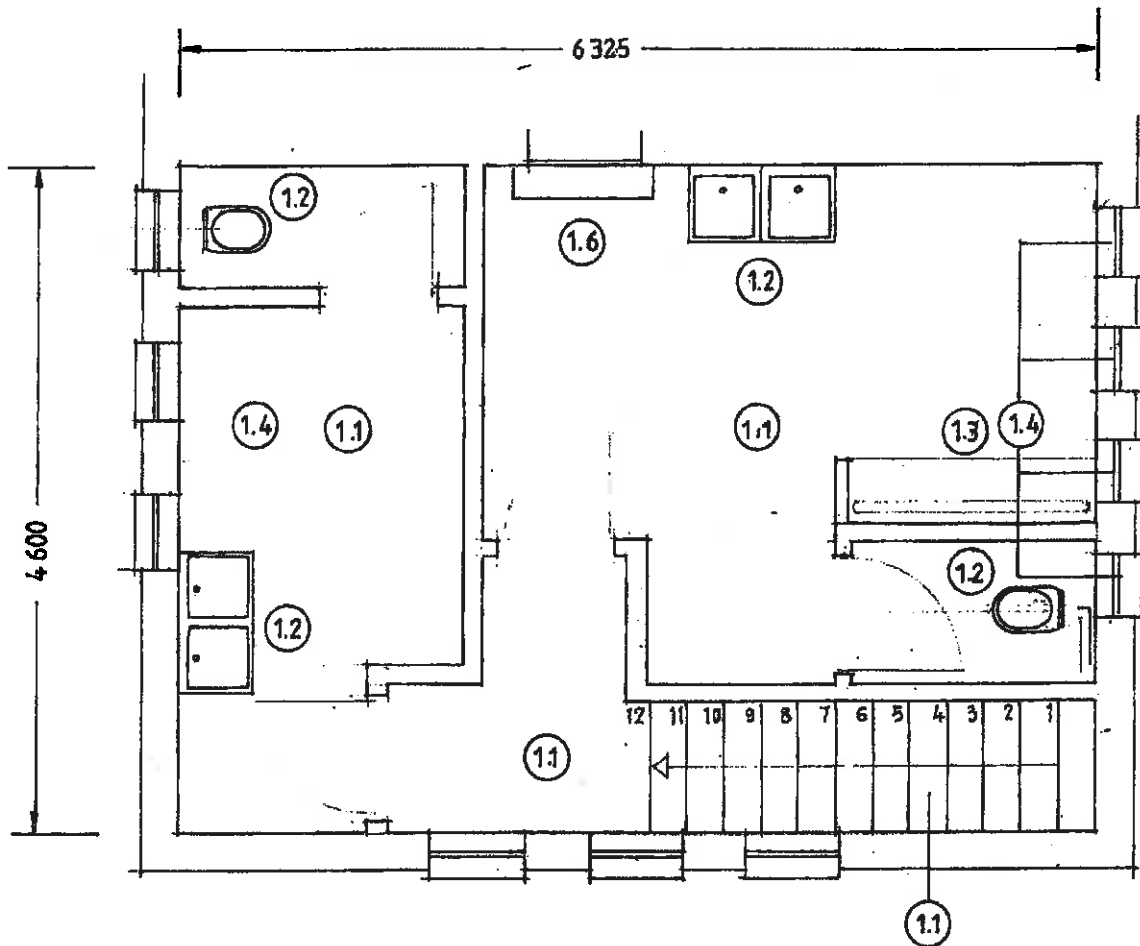
- SCALE 1:100



JAAP VAN LILLE
ARGITEK ARCHITECT

Albertstr 53 Albert St GEORGE 6529
 ☎ 044 874 1521 ✉ 2338 GEORGE 6530
 ☎ 088 270 5123 ☎ 082 801 4749
 e-pos / e-mail: jvllille@telkomsa.net

Projekttitel: Project title:	Skaal: Scale:	Datum: Date:	Getaken: Drawn:	Tek. nr. Dwg. no.
New Municipal Court at the George Civic Centre: Additions & Alterations		Jan. 2016		1501- 103



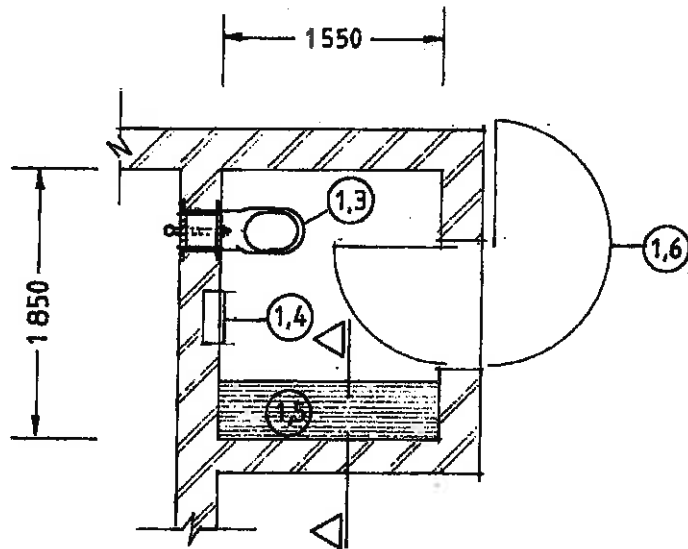
- Renovation of Existing Toilets on 1st Floor of Kitchen Block
- SCALE 1:50



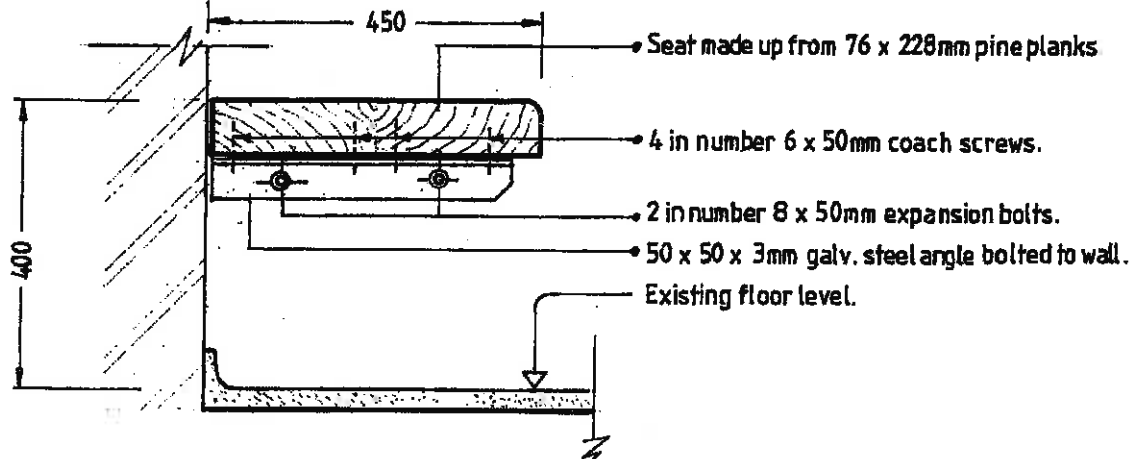
JAAP VAN LILLE
ARGITEK ARCHITECT

Albertstr 53 Albert St GEORGE 6529
 ☎ 044 874 1521 ☒ 2338 GEORGE 6530
 ☎ 088 270 5123 ☎ 082 801 4749
 e-pos / e-mail: jvillie@telkomsa.net

Projektitel: Project title:	Skaal: Scale:	Datum: Date:	Geteken: Drawn:	Tek. nr: Dwg. no.
New Municipal Court at the George Civic Centre: Additions & Alterations		Jan. 2016	jvillie	1501- 104



- PLAN
- SCALE 1:50



- SECTION
- SCALE 1:10

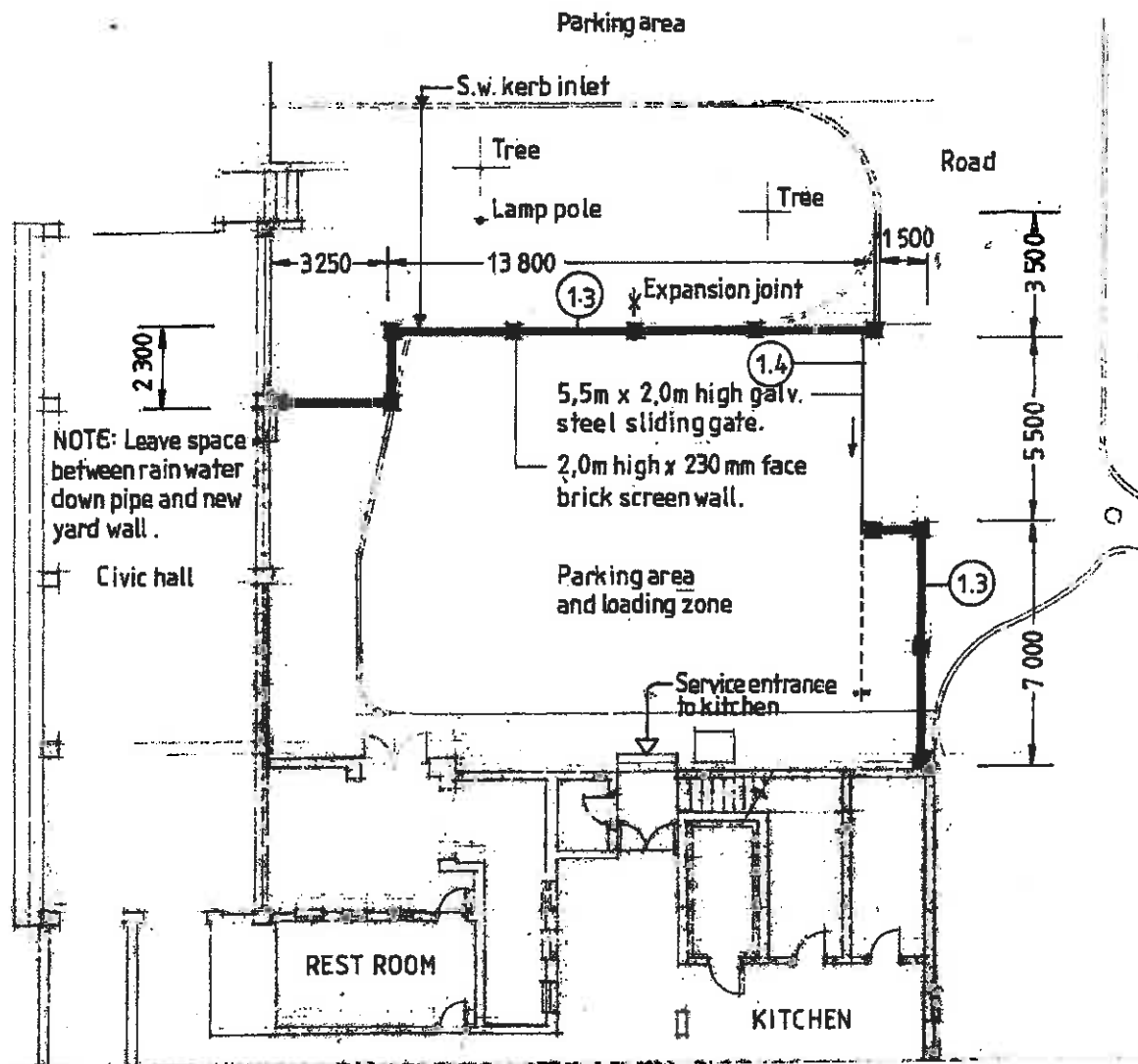
● Alterations to Existing Store Room



JAAP VAN LILLE
ARGITEK ARCHITECT

Albertstr 53 Albert St GEORGE 6529
 ☎ 044 874 1521 ☒ 2338 GEORGE 6530
 ☎ 086 270 5123 ☎ 082 801 4749
 e-pos / e-mail: jlille@telkomsa.net

Projekttitel: Project title:	Skaal: Scale:	Datum: Date:	Geteken: Drawn:	Tek. nr: Dwg. no.
New Municipal Court at the George Civic Centre: Additions & Alterations		Jan. 2016	jvillie	1501- 105



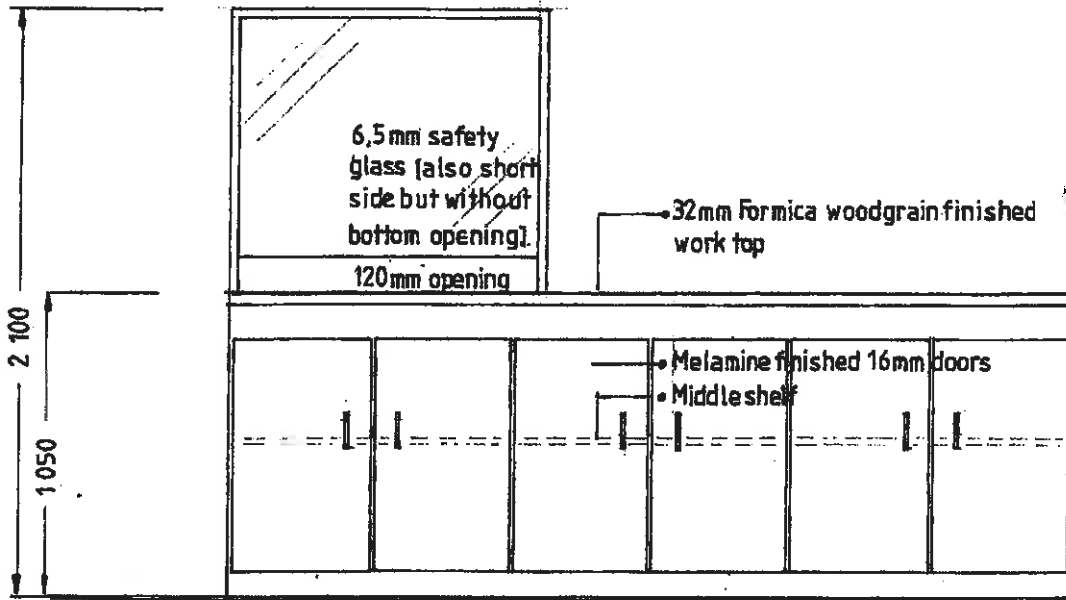
● Screen Wall & Gate at Kitchen Yard
 ● SCALE 1:200



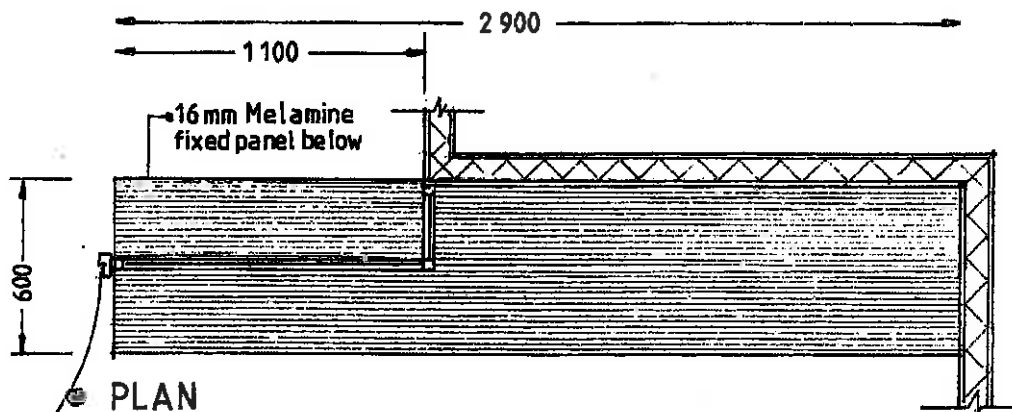
JAAP VAN LILLE
ARGITEK ARCHITECT

Alberstr 53 Albert St GEORGE 6529
 ☎ 044 874 1521 ☒ 2338 GEORGE 6530
 ☎ 086 270 5123 ☎ 082 801 4749
 e-pos / e-mail: jvllille@telkomsa.net

Projekttitel: Project title:	Skaal: Scale:	Datum: Date:	Getekene: Drawn:	Tek. nr. Dwg. no.
New Municipal Court at the George Civic Centre: Additions & Alterations		Jan. 2016	jvllille	1501- 106



- ELEVATION of counter from office side
- SCALE 1:25



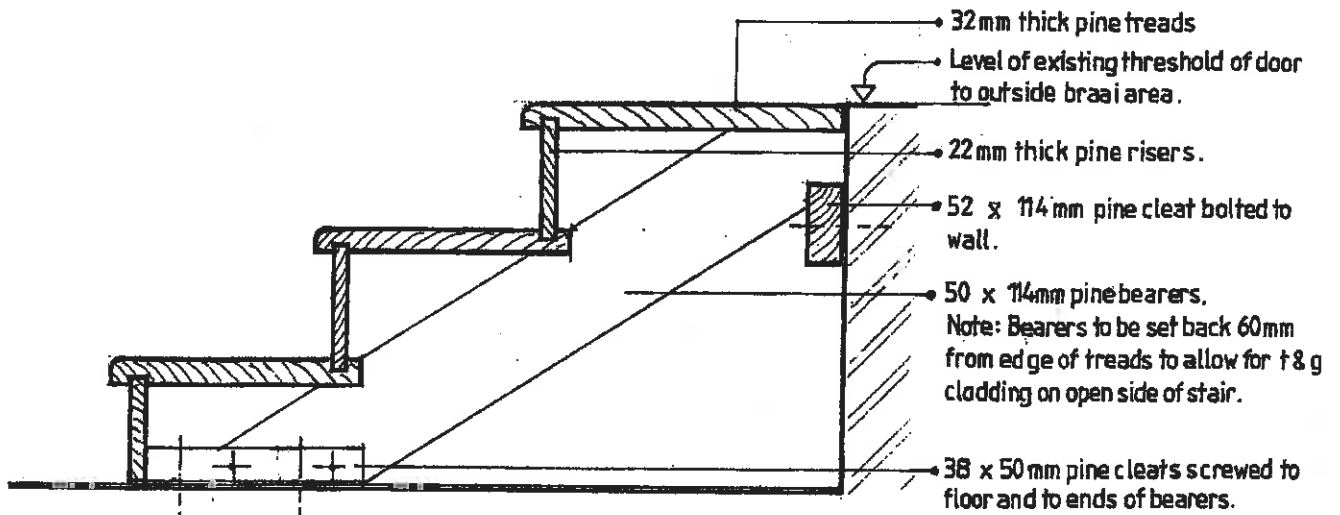
- Detail of Counter in Clerk of the Court's Office



JAAP VAN LILLE
ARGITEK ARCHITECT

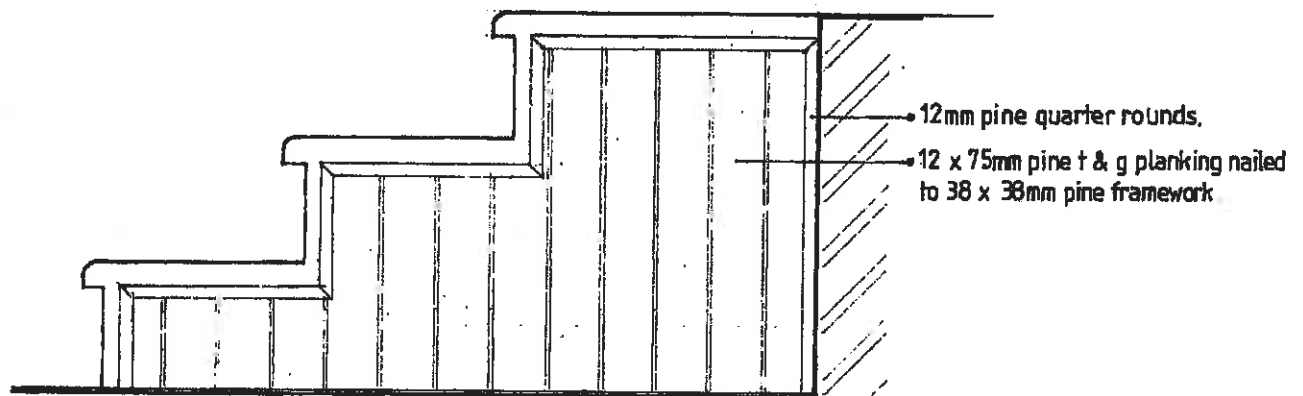
Albertstr 53 Albert St GEORGE 6529
☎ 044 874 1521 ☎ 2338 GEORGE 6530
☎ 086 270 5123 ☎ 082 801 4749
e-pos / e-mail: jvill@telkomsa.net

Projektitel: Project title:	Skaal: Scale:	Datum: Date:	Geteken: Drawn:	Tek. nr: Dwg. no.
New Municipal Court at the George Civic Centre: Additions & Alterations	1:25	Jan. 2016	jvill	1501- 107

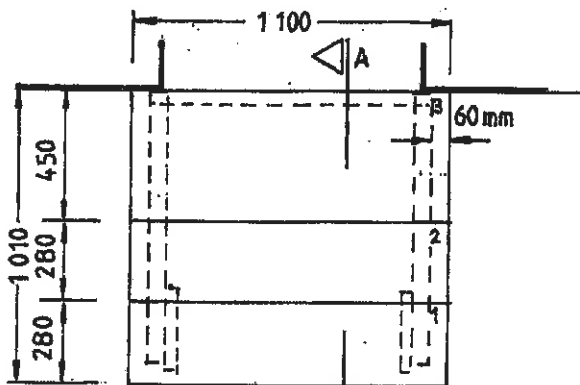


● SECTION A - A

● SCALE 1:10



● SIDE ELEVATION



● PLAN

● SCALE 1:25

Detail of Timber Stair in Office 2



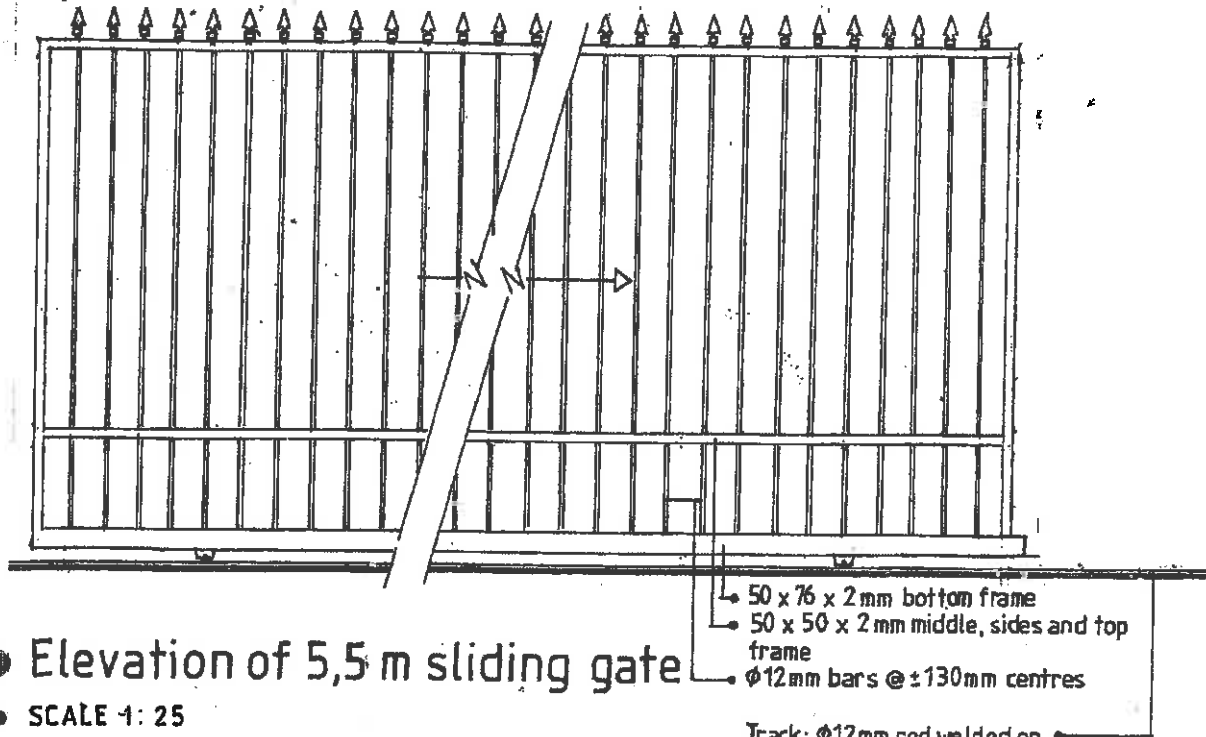
JAAP VAN LILLE
ARGITEK ARCHITECT

Albertstr 53 Albert St GEORGE 6529
 ☎ 044 874 1521 ☒ 2338 GEORGE 6530
 ☎ 086 270 5123 ☎ 082 801 4749
 e-pos / e-mail: lville@telkomsa.net

Projektitel: Project title:	Skaal: Scale:	Datum: Date:	Geteken: Drawn:	Tek. nr: Dwg. no.
New Municipal Court at the George Civic Centre: Additions & Alterations		Jan. 2016		1501- 108

NOTE:

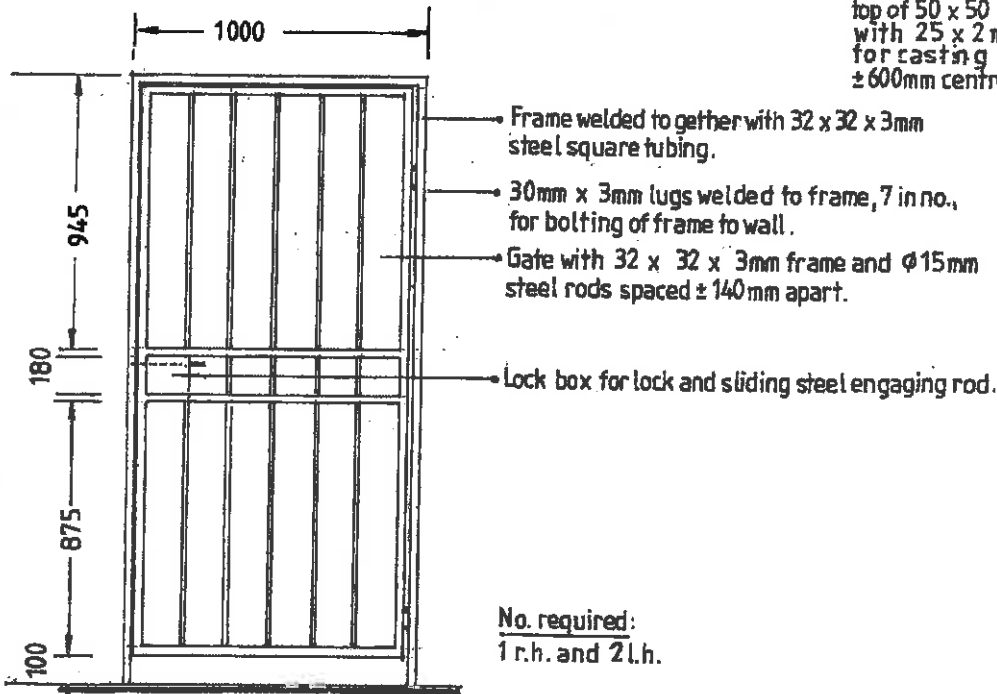
- Fit latch for padlock to sliding gate and silinder lock with engaging steel rod for 1,0m gates
- All steelwork welded and drilled before hot dip galvanizing
- All steelwork left unpainted



● Elevation of 5,5 m sliding gate

● SCALE 1: 25

Track: $\phi 12$ mm rod welded on top of 50 x 50 x 3 mm angle with 25 x 2 mm flat steel lugs for casting into concrete at ± 600 mm centres.



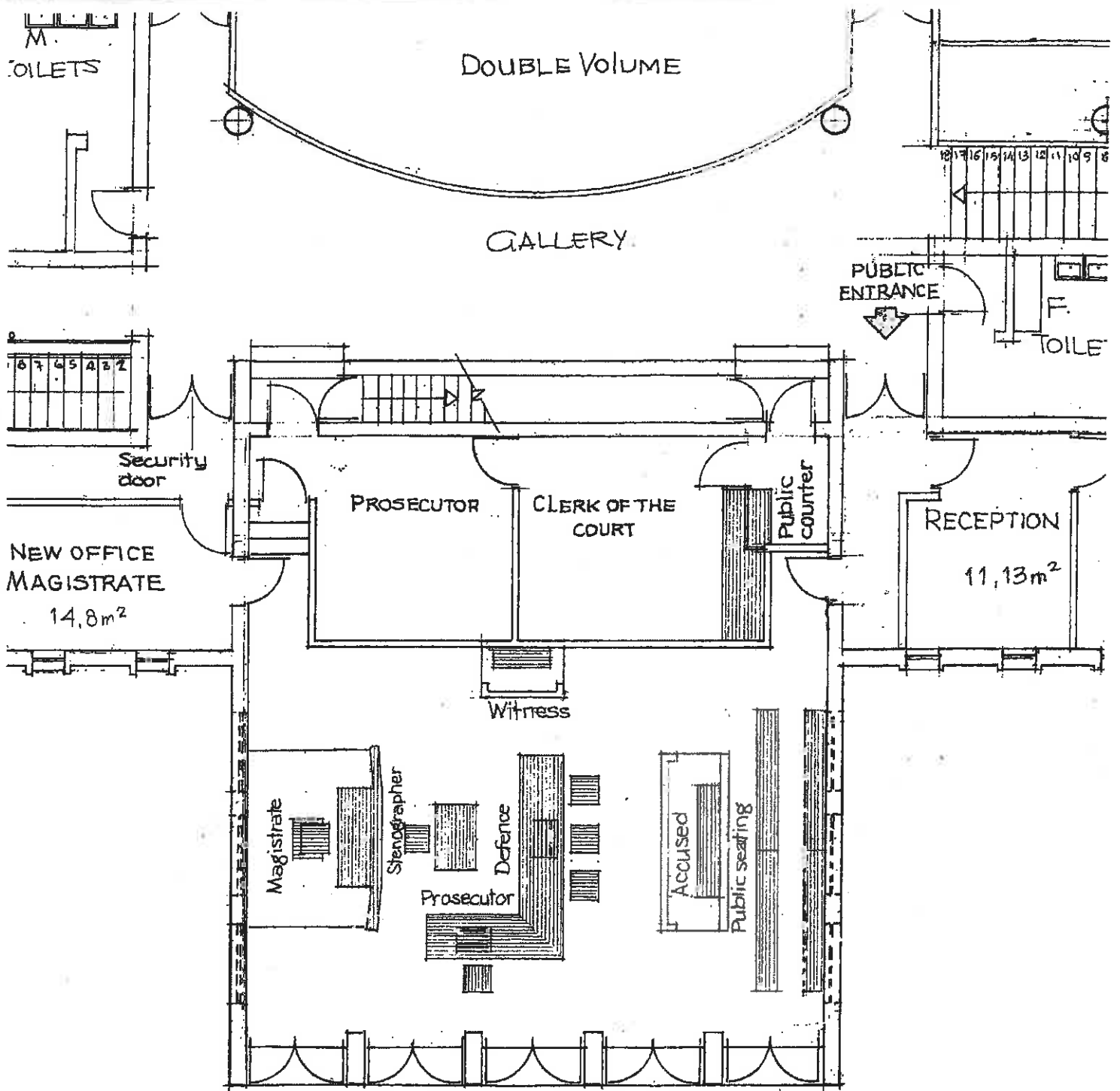
● Elevation of 1,0m security gates



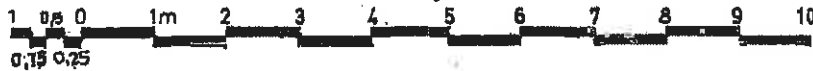
JAAP VAN LILLE
ARGITEK ARCHITECT

Albertstr 53 Albert St GEORGE 6529
 ☎ 044 874 1521 ✉ 2338 GEORGE 6530
 ☎ 086 270 5123 ☎ 082 801 4749
 e-pos / e-mail: jville@telkomsa.net

Projekttitel: Project title:	Skaal: Scale:	Datum: Date:	Geteken: Drawn:	Tek. nr. Dwg. no.
New Municipal Court at the George Civic Centre: Additions & Alterations	1: 25	Jan. 2016	jvllille	1501- 109



PLAN : New Municipal Court Chamber



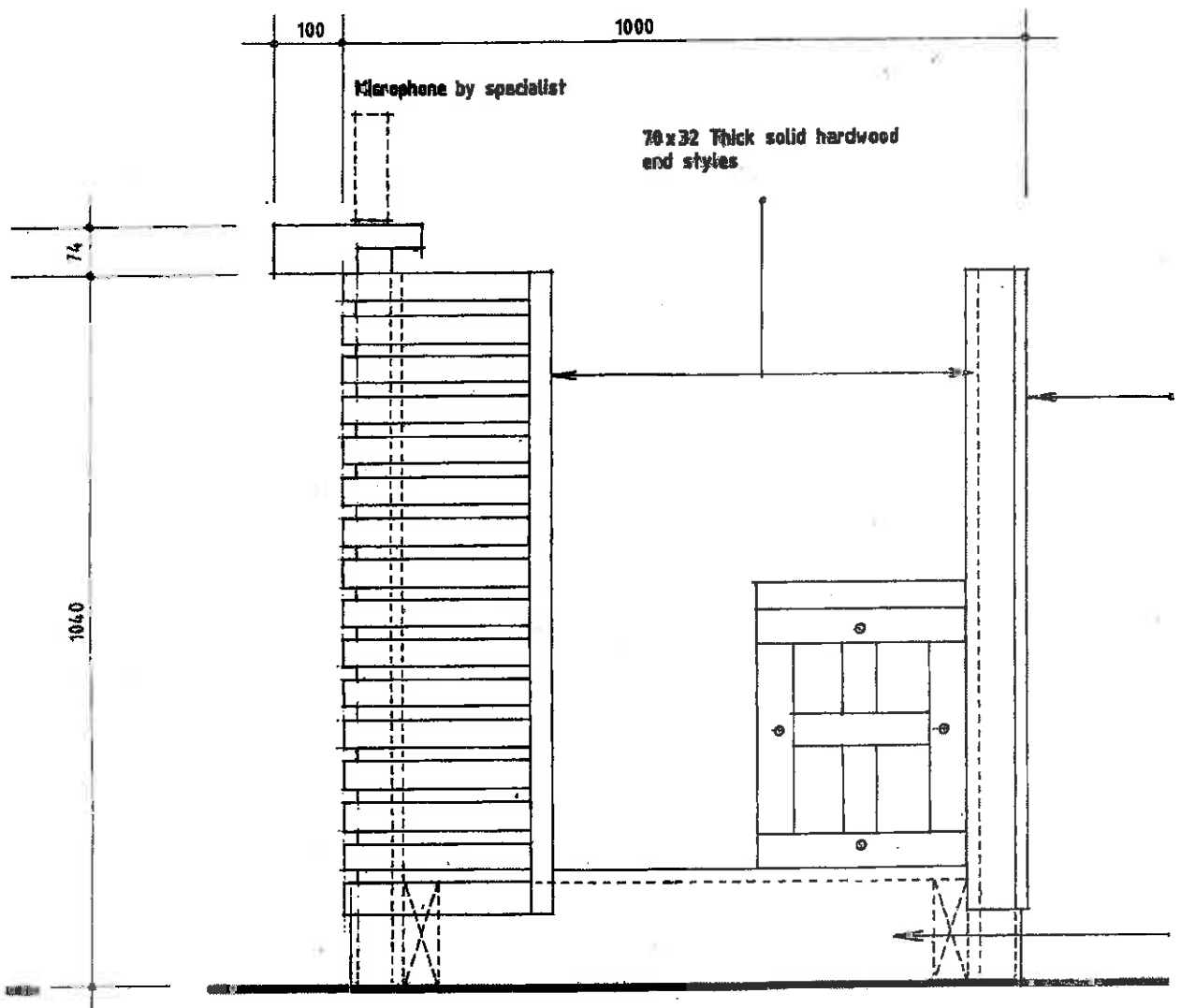
SCALE 1 : 100



JAAP VAN LILLE
ARGITEK ARCHITECT

Albertstr 53 Albert St GEORGE 6529
☎ 044 874 1521 ☒ 2338 GEORGE 6530
☎ 086 270 5123 ☎ 082 801 4749
e-pos / e-mail: jlille@telkomsa.net

Projektitel: Project title:	Skaal: Scale:	Datum: Date:	Geteken: Drawn:	Tek. nr. Dwg. no.
New Municipal Court at the George Civic Centre: Additions & Alterations		Jan. 2016		1501- 110



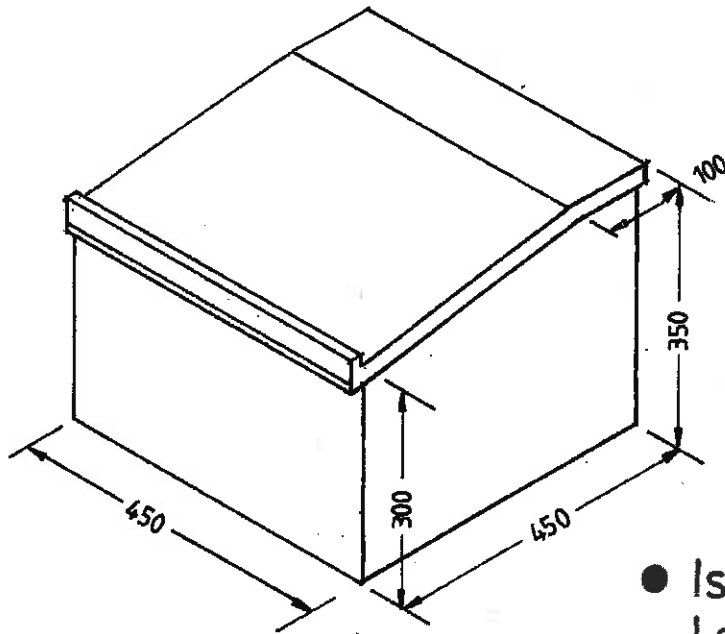
SIDE ELEVATION
WITNESS BOX
 SCALE 1 : 10



JAAP VAN LILLE
 ARGITEK ARCHITECT

Albertstr 53 Albert St GEORGE 6529
 ☎ 044 874 1521 ✉ 2338 GEORGE 6530
 ☎ 086 270 5123 📞 082 801 4749
 e-pos / e-mail: jlille@telkomsa.net

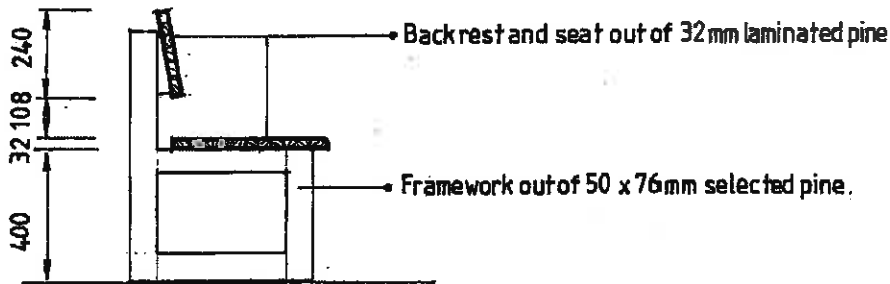
Projektitel: Project title:	Skaal: Scale:	Datum: Date:	Geteken: Drawn:	Tek. nr: Dwg. no.
New Municipal Court at the George Civic Centre: Additions & Alterations		Jan. 2016		1501- 113



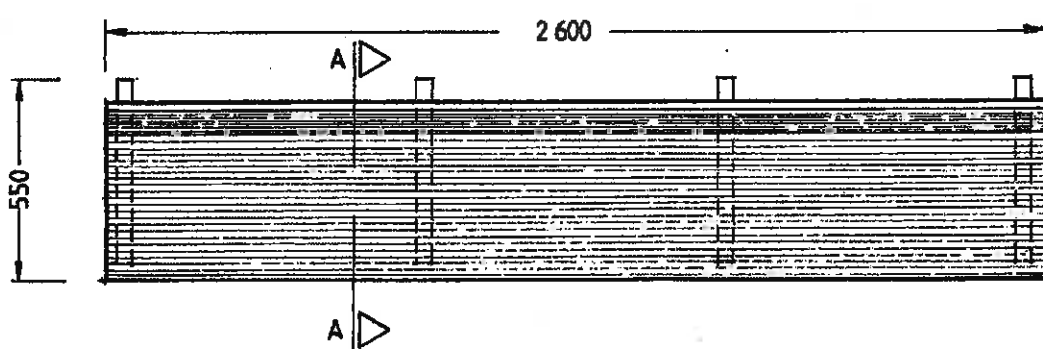
NOTES:

- To be made of approved hardwood.
- Number required : 2
- Finishing: Plascon Sunproof Clear Suede applied according to manufacturer's instructions.

● Isometric Sketch of Lectern



● SECTION A - A



- PLAN
- SCALE 1:25

No. required : 4

● Detail of Benches in Court Chamber



JAAP VAN LILLE
ARGITEK ARCHITECT

Albertstr 53 Albert St GEORGE 6529
 ☎ 044 874 1521 ✉ 2338 GEORGE 6530
 ☎ 086 270 5123 ☎ 082 801 4749
 e-pos / e-mail: jlille@telkomsa.net

Projektitel: Project title:	Skaal: Scale:	Datum: Date:	Geteken: Drawn:	Tek. nr: Dwg. no.
New Municipal Court at the George Civic Centre: Additions & Alterations	1: 25	Jan. 2016		1501- 114