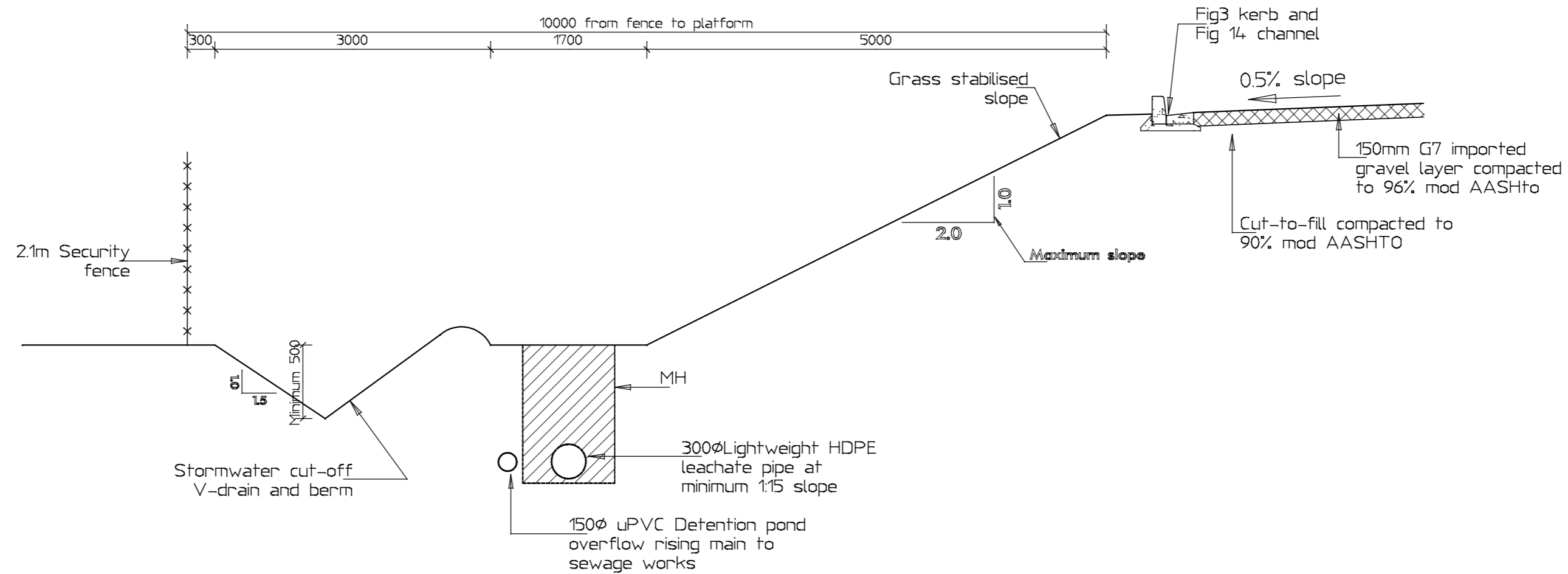


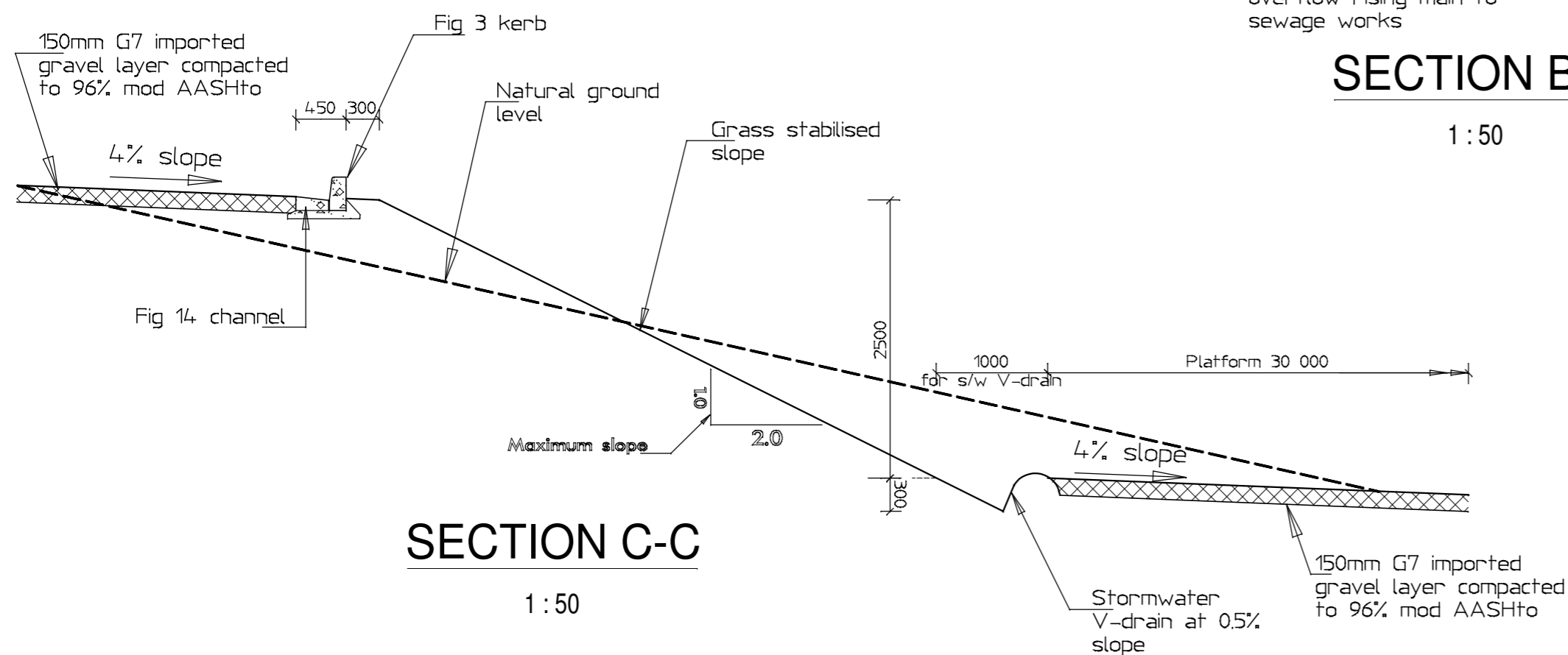
SECTION A-A

1:500



SECTION B-B

1:50



SECTION C-C

1:50

NOTES

NOTAS

Mk	Date	Revision description



8 ST. JOHNS STR.
BOX 909 GEORGE
TEL: 044-874098
FAX: 044-874632

OTHER OFFICES:
KNYSNA
OUDTSHOORN
PLETTERBEG BAY

Project	Projek
COMPOSTING FACILITY AND BUILDERS RUBBLE PROCESSING PLANT	
Drawing Title	Tekeningtitel
PROPOSED COMPOSTING FACILITY ON SITE 1: SECTIONS AND DETAILS	

Scale	Staal	Date	OCT 2010	Detum
Designed	P Goedhart	Ontwerp	Drawing No.	Tekening No.
Drawn	M Steyn	Geteken	TG964-R04	
Checked	P Goedhart	Naagegaan	Revision	Herreling